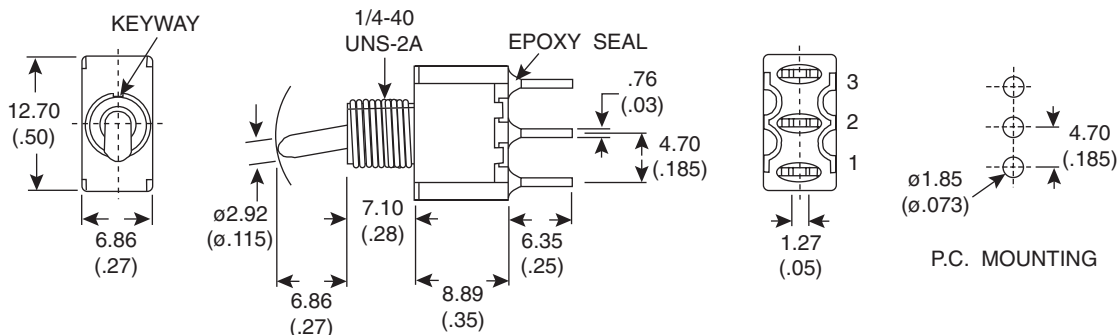


Dimensions: mm (In.)



POS.1	POS.2	POS.3
ON	OFF	ON
2-3	OPEN	2-1

SWITCH FUNCTION

**Mechanical Specifications:**

- Operating Temperature: -30° C to +85° C

**Electrical Specifications:**

- Electrical Life: 40,000 make-and-break cycles at full load
- Contact Resistance: 10m $\Omega$  max. initial @ 2-4VDC 100mA
- Insulation Resistance: 1,000M $\Omega$  min.
- Rating: 2A/250VAC, 5A/120VAC or 28 VDC
- Dielectric Strength: 1,000 V RMS@ sea level

**Materials:**

- Case: Diallyl phthalate (DAP)
- Acuator: Brass, chrome plated.
- Bushing: Brass, nickel plated.
- Housing: Stainless steel.
- Terminal/Contact: Silver or Gold plated.

**Note:**

- RoHS compliant by exemption

Toggle Switch  
108-1MS3T2B3M2QE-EVX

